

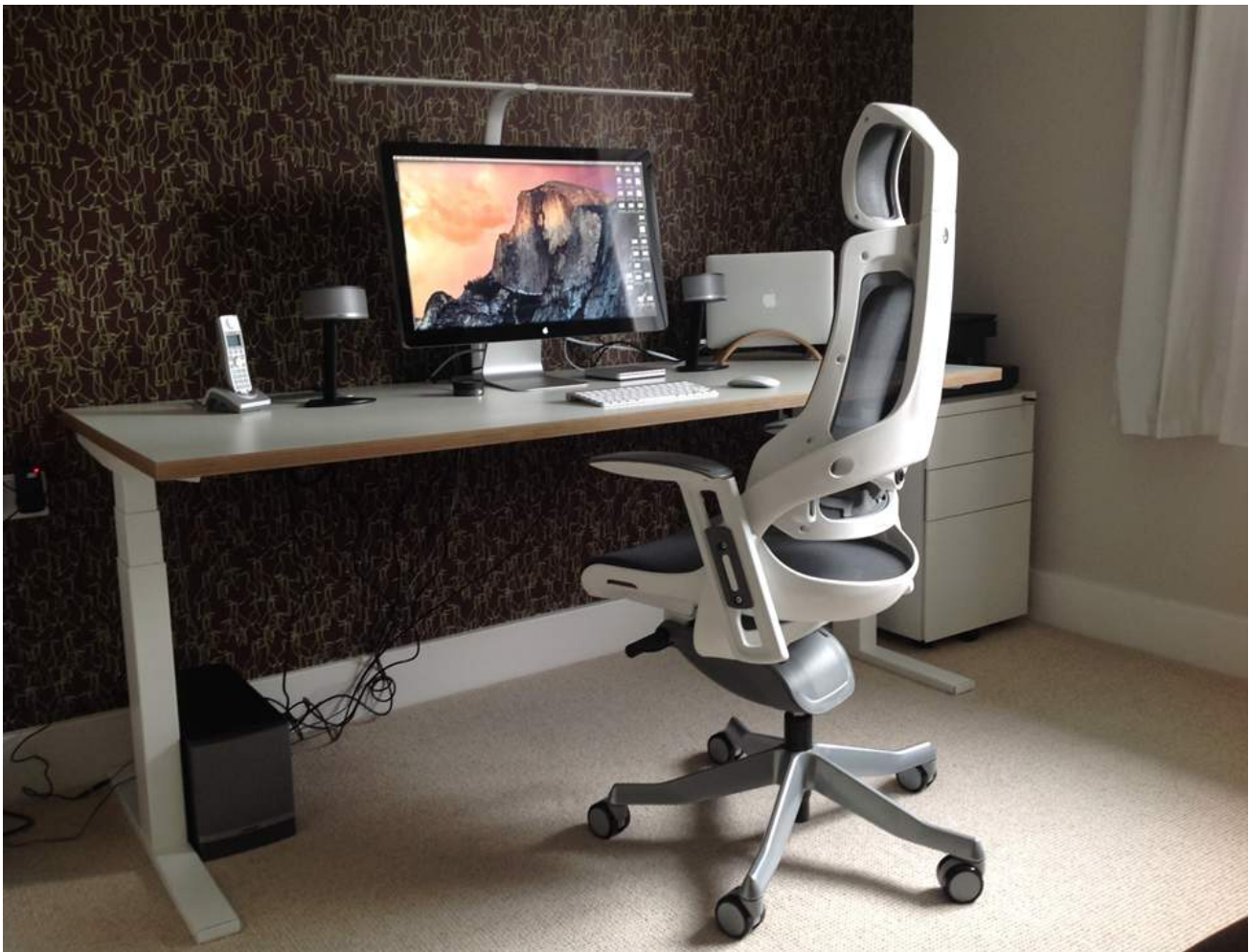


Height-adjustable Desks

## ALTO Height-adjustable Range

The ALTO range of height adjustable, 'sit-stand' desks and tables include a choice of electronic and manually operated models.

All electronic models in the series feature touch button operation to easily set the optimal working height for any task or individual user. ALTO Smart Control can also be fitted with optional controls that can program height, display user settings and add 'Wellness' features. Each model is based on 2 or 3 stage telescopic frames with a full range of desk sizes. The 30mm thick tops are available in veneer or laminate with matching or hardwood edges.



- Sturdy, robust construction
- Sit-Stand specification
- Quiet, high-speed operation
- Suitable for use with under-desk pedestals
- Choice of frame colours
- Choice of top finishes - laminate and veneer

## ALTO Smart Control



### Features

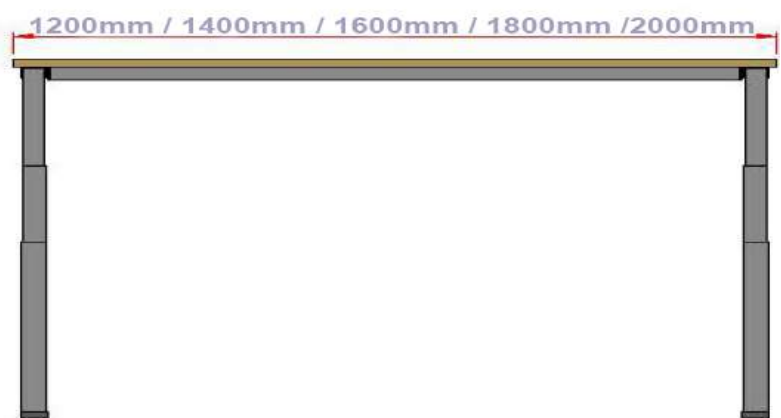
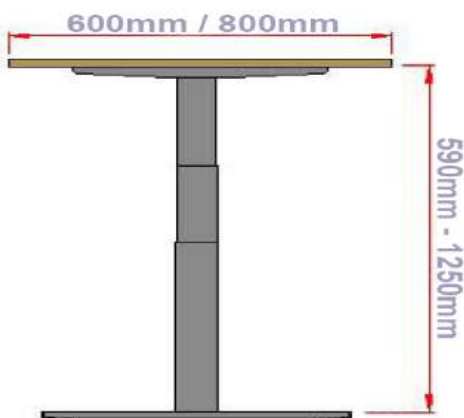
- Adjusts from 590mm - 1250mm
- Three-stage LINAK® actuators
- Quiet, high-speed drive motors
- Smart Control with 3 position memory
- Automatic anti-collision feature
- 30mm thick, square edge desktops in laminate or veneer
- Rectangular or scooped desktops

### Options

- USB/ programmable software interface & 'Wellness' features
- Black and RAL colours (subject to minimum order quantities)
- Cable management trays
- Locking castors



### Dimensions



## ALTO Electronic



### Features

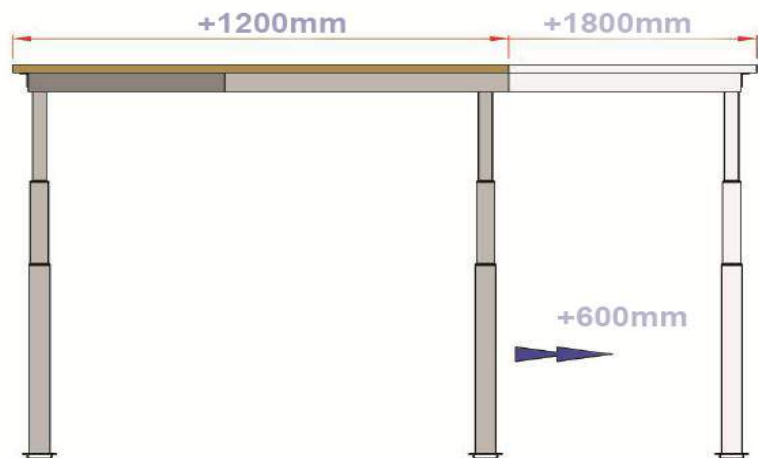
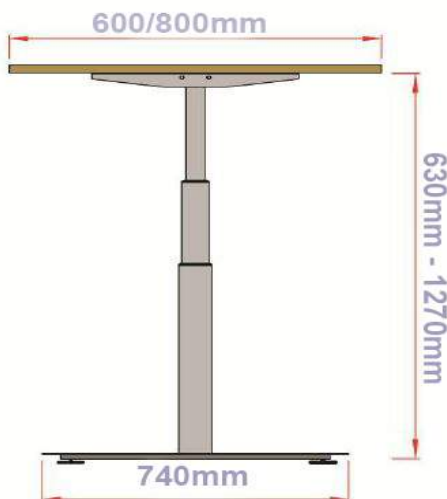
- Adjusts from 630mm - 1270mm
- Three-stage actuators
- Quiet, high-speed drive motors
- 2-button control with soft start-stop
- Manual anti-collision feature
- 30mm thick, square edge desktops in laminate or veneer
- Rectangular or scooped desktops

### Options

- Black frame finish (subject to minimum order quantities)
- Cable management trays



### Dimensions



# ALTO Manual

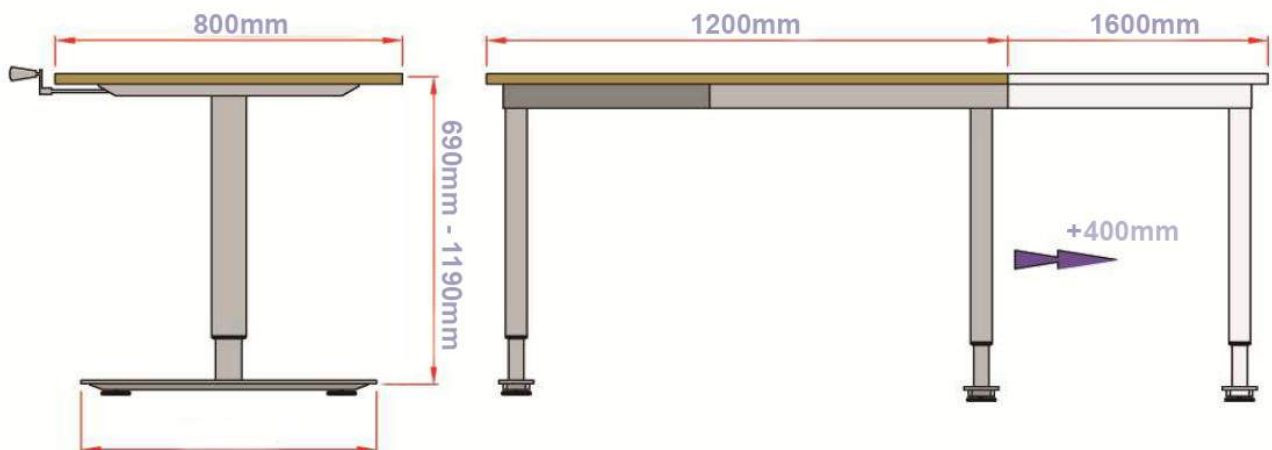


## Features

- Adjusts from 690mm - 1190mm
- Adjustable two-stage telescopic frame
- Manual crank adjustment
- Removable crank-handle
- Additional cable management trays



## Dimensions



## Range Specification and Options

Model	ALTO Manual	ALTO Electronic	ALTO Smart Control
Height adjustment (mm)			
Min	690	630	590
Max	1190	1250	1270
Range	500	640	660
Speed			
Speed	N/A	38mm/sec	38mm/sec
Controls			
Controls	Manual crank handle	2-button	2-button
Anti-collision			
Anti-collision	Manual	Manual	Automatic
Frame depth			
Frame depth	800mm	600/800mm	600/800mm
Frame width			
Frame width	1050-1630mm	1150-1750mm	900-1900mm
Desktop Spec			
Desktop Spec	30mm Square Edge	30mm Square Edge	30mm Square Edge
Desktop Material			
Desktop Material	Laminate/Veneer	Laminate/Veneer	Laminate/Veneer
Frame colours			
Silver	✓	✓	✓
White	✓	✓	✓
Black	✗	✓*	✓*
Desktop sizes (Custom top sizes available)			
600 X 1200	✗	✓	✓
800 X 1200	✓	✓	✓
800 X 1400	✓	✓	✓
800 X 1600	✓	✓	✓
800 X 1800	✓	✓	✓
800 X 2000	✓	✓	✓
Optional controls			
2-button Control switch with 3 position memory black	✗	✗	Included
2-button, 3 position memory with display-black	✗	✗	✓
2 button, 3 position memory, display, alarms and calorie counter "Wellness Switch" (white & green)	✗	✗	✓
USB programming and control cable (Use with PC and software to provide "Wellness" features on a PC display)	✗	✗	✓

\*subject to minimum order quantities



**Salop Street, Bilston  
West Midlands WV14 0TQ**

**01902 490273**

**[sales@actfurniture.com](mailto:sales@actfurniture.com)**